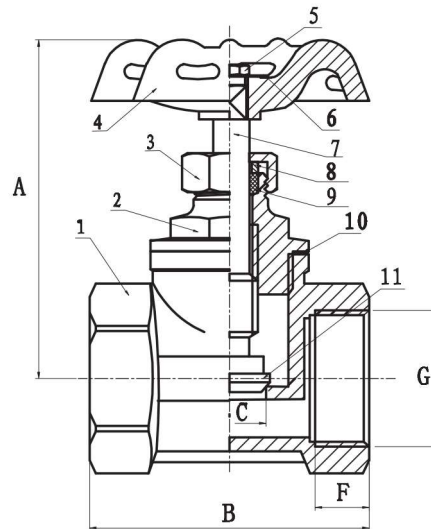


Brass Globe Valve
(J11W-301A)



J11W-301A

- Connection Ends: ISO 228
- Working Pressure: PN16
- Temperature Range: 0°C- 120°C



MATERIAL SPECIFICATION

Part No.	Part	Standard Specification
1	Body	HPb59-1
2	Cover	HPb59-1
3	Pressing Nut	HPb57-3
4	Handwheel	HT200
5	Hexagonal Nut	Q235
6	Nameplate	AL
7	Stem	HPb59-1
8	Retainer Ring	HPb57-3
9	Packing	PTFE
10	Sealing Ring	PTFE
11	Core	HPb57-3

Note: For special material request other than standard specification, please indicate clearly on the inquiry or order list.

DN		PN	Dimensions(mm)				
Inch	mm		A	B	C	F	G
1/2"	15	16	60	45	13.5	11.5	1/2
3/4"	20	16	64	54	16	12	3/4
1"	25	16	77	61	20	14	1
1 1/4"	32	16	96	74	28	15	1 1/4
1 1/2"	40	16	105	84	31	18	1 1/2
2"	50	16	119	94	35	19.5	2